

Precision Ruggedized ABS Splitter

Ideal for FTTx PON networks, planar lightwave circuit (PLC) splitters offer a compact size, high reliability, and wide operating wavelength range. With today's distributed networks PLC splitters are the perfect low cost solution to support any application requiring uniform optical power splitting from 1x2 up to 2x64 combinations. The Precision Ruggedized Splitter can be installed anywhere within the network, including rackmount, FDH panels, splice cases, or fiber optic termination NID.

FEATURES

- LOW INSERTION LOSS

- LOW PDL (POLARIZATION DEPENDENT LOSS)

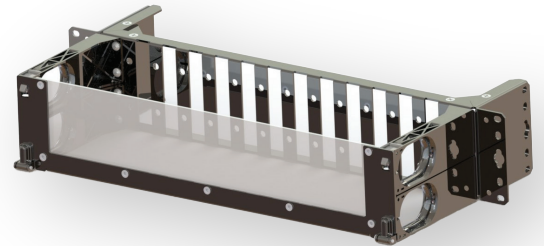
- COMPACT DESIGN

- EXCEPTIONAL RELIABILITY AND STABILITY

- WIDE OPERATING WAVELENGTH: FROM 1260NM TO 1650NM

- WIDE OPERATING TEMPERATURE: FROM -40°C TO 85°C

- CONFORMED TO ROHS

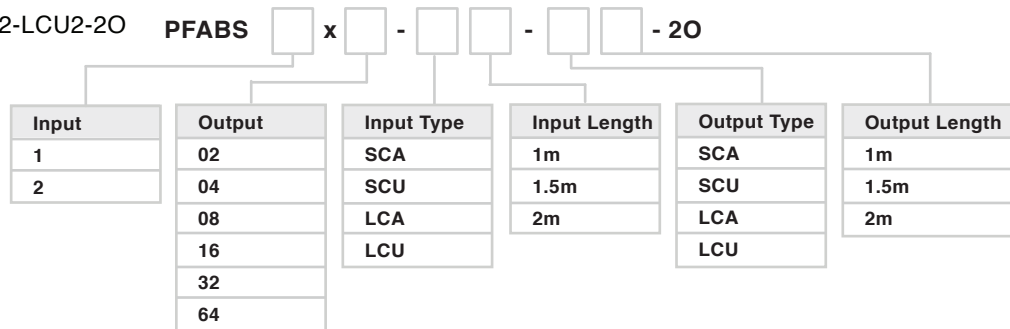


ORDERING GUIDE

Example Part #'s:

PFABS1X32-SCA2-SCA2-20

PFABS1X32-SCU2-LCU2-20



Optional ABS Splitter Mounting Shelf
 Part# PF-1923-ABSMT-2U
 2RU, 19 or 23", Holds 12 ABS Splitter Modules

Precision Ruggedized ABS Splitter

TECHNICAL SPECIFICATION

Parameters	1x2	1x4	1x8	1x16	1x32	1x64
Operating Wavelength (nm)	1260~1650					
Fiber Type	G657A1 or customer specified					
Insertion Loss(dB)	≤4.4	≤7.6	≤10.9	≤13.9	≤17.3	≤21.4
Loss Uniformity (dB)	0.4	0.6	0.8	1.2	1.5	2.0
Polarization Dependent Loss (dB)	0.2	0.2	0.2	0.25	0.3	0.35
Return Loss (dB)	≥50	≥50	≥50	≥50	≥50	≥50
Directivity (db)	≥55	≥55	≥55	≥55	≥55	≥55
Wavelength Dependent Loss (dB)	0.3	0.3	0.3	0.5	0.5	0.5
Operating Temperature (°C)	-40~85					
Storage Temperature (°C)	-40~85					

Parameters	2x2	2x4	2x8	2x16	2x32	2x64
Operating Wavelength (nm)	1260~1650					
Fiber Type	G657A1 or customer specified					
Insertion Loss(dB)	≤4.2	≤7.5	≤11.0	≤14.5	≤17.5	≤21.0
Loss Uniformity (dB)	0.8	1	1.2	1.5	1.8	2.0
Polarization Dependent Loss (dB)	0.2	0.3	0.3	0.3	0.3	0.5
Return Loss (dB)	≥50	≥50	≥50	≥50	≥50	≥50
Directivity (db)	≥55	≥55	≥55	≥55	≥55	≥55
Operating Temperature (°C)	-40~85					
Storage Temperature (°C)	-40~85					

Note:

- 1. Specified without connectors.
- 2. Add an additional 0.2dB loss per connector.