

4

3

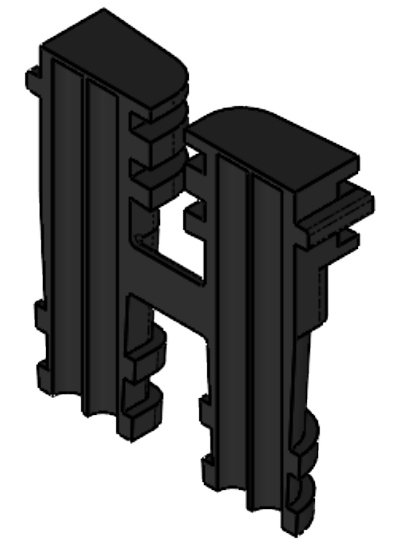
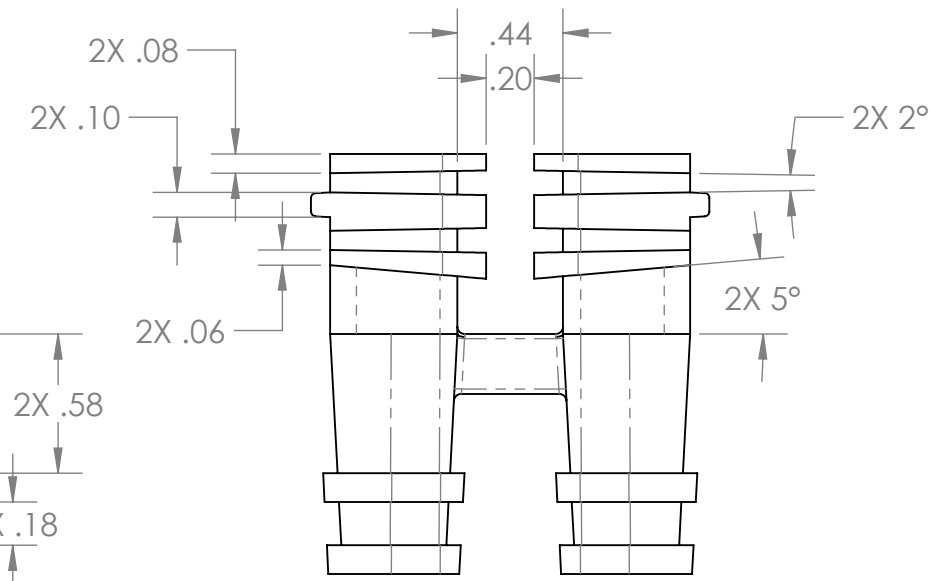
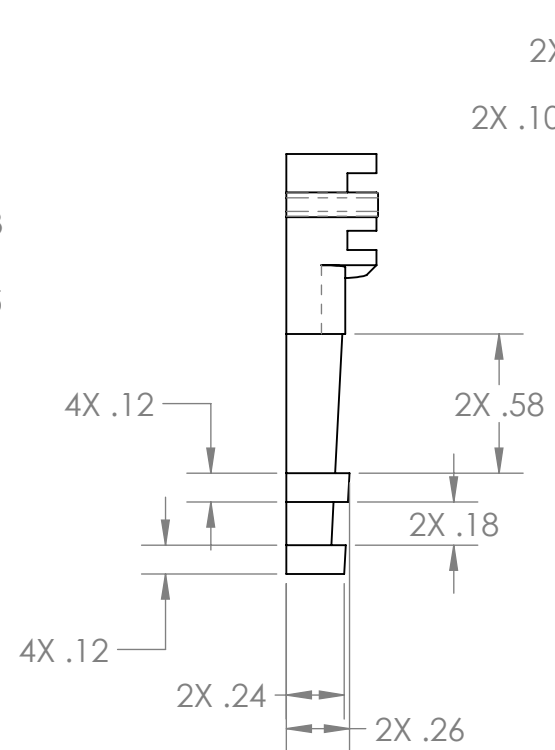
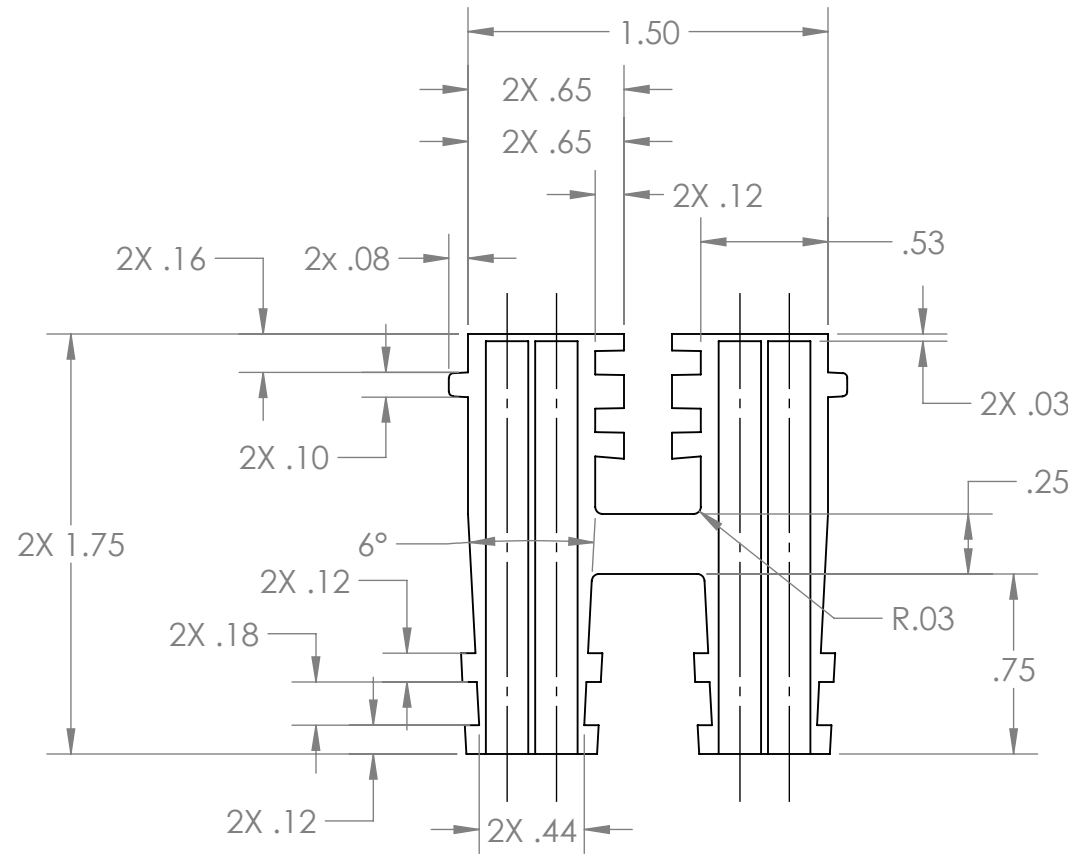
2

1

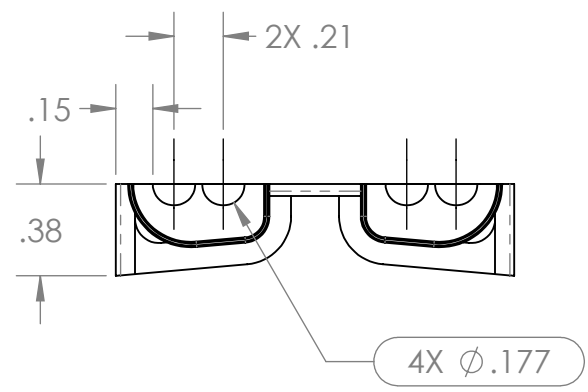
**NOTES:**

- 1. MATERIAL: EPDM, BLACK
- 2. VOLUME: 0.364 CUBIC INCHES
- 3. THIS IS A LIMITED DIMENSION DRAWING. MISSING DIMENSIONS ARE MODEL DRIVEN.
- 4. CRITICAL DIMENSIONS ARE SHOWN IN BUBBLES. THERE ARE 1 CRITICAL DIMENSION ON THIS DRAWING.
- 5. PARTS TO BE ADEQUATELY PACKED TO PREVENT DAMAGE DURING SHIPPING.
- 6. FLASH THICKNESS: .002" MAX. FLASH EXTENSION: .005" MAX. MISMATCH AT PARTING LINE: .002" MAX
- 7. TOOLING DESIGN TO BE SUBMITTED TO AND APPROVED BY ENGINEERING PRIOR TO CONSTRUCTION OF TOOLS.
- 8. SHARP EDGES AND CORNERS SHOWN TO BE UP TO .005" RADIUS.

REVISIONS					
ECO	REV.	DESCRIPTION	DATE	DRAWNBY	APPROVED
N/A	01	PRELIMINARY REVISION	6/5/2023	RG	
N/A	02	MATERIAL WAS CHANGED	6/27/2023	RG	



(ISOMETRIC VIEW FOR REFERENCE)



**PROPRIETARY AND CONFIDENTIAL**

THE INFORMATION CONTAINED IN THIS DRAWING IS THE SOLE PROPERTY OF PRECISION FIBER. ANY REPRODUCTION IN PART OR AS A WHOLE WITHOUT THE WRITTEN PERMISSION OF PRECISION FIBER IS PROHIBITED.

DIMENSIONS IN PARENTHESIS ARE FOR REFERENCE ONLY. UNLESS OTHERWISE SPECIFIED:  
 DIMENSIONS ARE IN INCHES  
 TOLERANCES:  
 FRACTIONAL ± 1/16  
 ANGULAR: MACH ± .5 BEND ± 2  
 ONE PLACE DECIMAL ± .050  
 TWO PLACE DECIMAL ± .020  
 THREE PLACE DECIMAL ± .010

INTERPRET GEOMETRIC TOLERANCING PER:

MATERIAL: EPDM, BLACK

FINISH:

DO NOT SCALE DRAWING

	NAME	DATE
DRAWN		
CHECKED		
ENG APPR.		
MFG APPR.		
Q.A.		
COMMENTS:		

**PRECISION GROUP**

TITLE:  
**GROMMET, DOUBLE ROUND CABLE 4.8mm**

SIZE	DWG. NO.	REV
<b>B</b>	PF-FLEXNID-GR-2RDSP	<b>02</b>

SCALE: 5:4 WEIGHT: SHEET 1 OF 1

4

3

2

1

B

B

A

A