

4

3

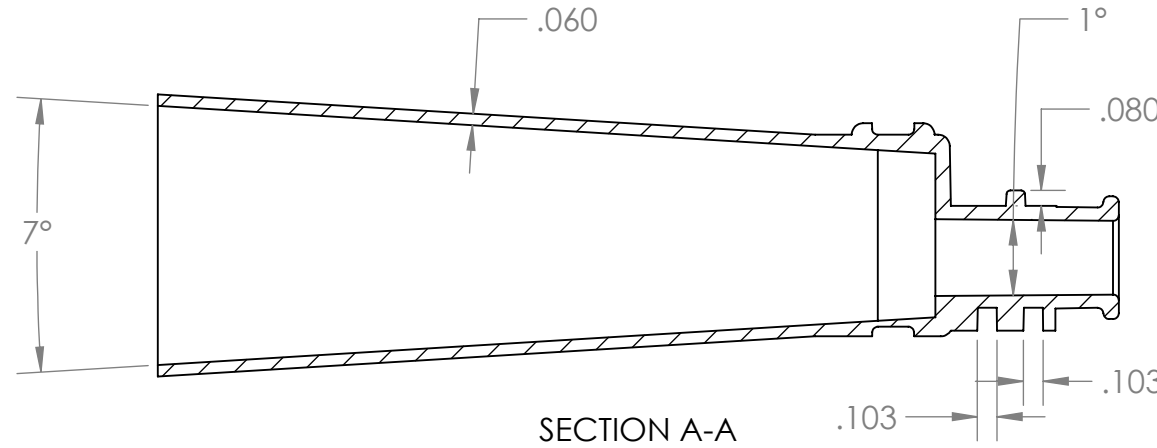
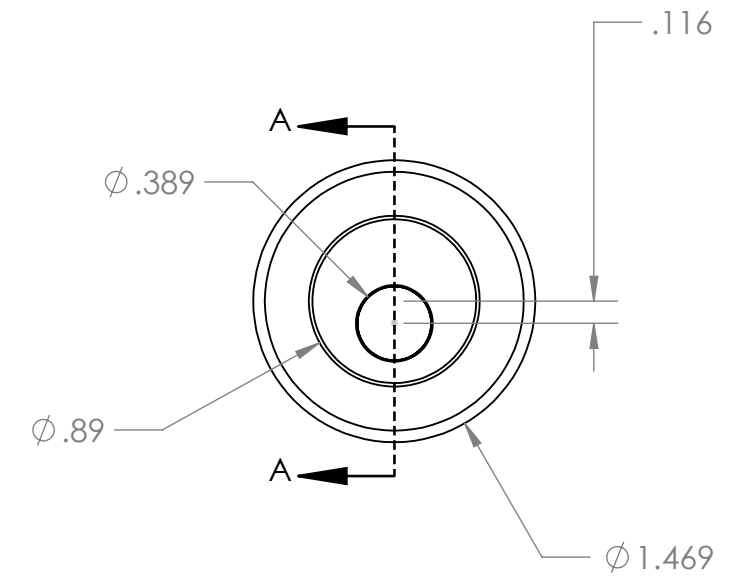
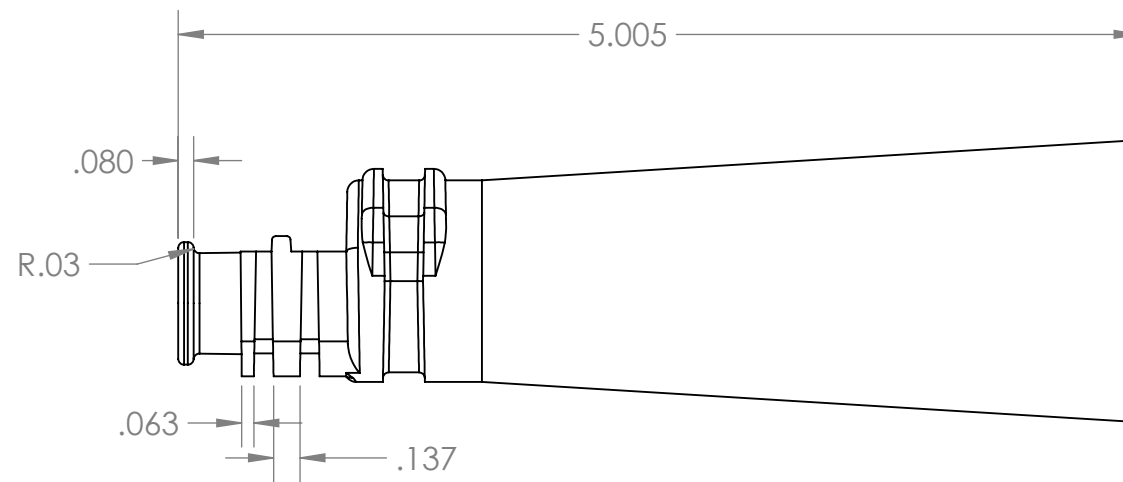
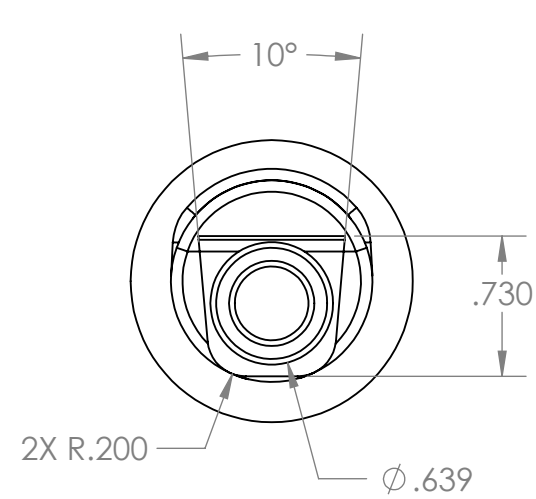
2

1

NOTES:

- 1. MATERIAL: EPDM, BLACK
- 2. VOLUME: 1.159 CUBIC INCHES
- 3. THIS IS A LIMITED DIMENSION DRAWING. MISSING DIMENSIONS ARE MODEL DRIVEN.
- 4. PARTS TO BE ADEQUATELY PACKED TO PREVENT DAMAGE DURING SHIPPING.
- 5. FLASH THICKNESS: .002" MAX. FLASH EXTENSION: .005" MAX. MISMATCH AT PARTING LINE: .002" MAX
- 6. TOOLING DESIGN TO BE SUBMITTED TO AND APPROVED BY ENGINEERING PRIOR TO CONSTRUCTION OF TOOLS.
- 7. SHARP EDGES AND CORNERS SHOWN TO BE UP TO .005" RADIUS.

REVISIONS					
ECO	REV.	DESCRIPTION	DATE	DRAWNBY	APPROVED
	01	PRELIMINARY RELEASE	3/08/2022		
	02	ADDED CIRCULAR EXTRUSION	12/9/2022		
	03	ADDED RING TO NECK	1/17/2023		
N/A	04	MATERIAL WAS CHANGED	6/27/2023	RG	



PROPRIETARY AND CONFIDENTIAL
 THE INFORMATION CONTAINED IN THIS DRAWING IS THE SOLE PROPERTY OF PRECISION FIBER. ANY REPRODUCTION IN PART OR AS A WHOLE WITHOUT THE WRITTEN PERMISSION OF PRECISION FIBER IS PROHIBITED.

UNLESS OTHERWISE SPECIFIED:	NAME	DATE
DIMENSIONS ARE IN INCHES	DRAWN	
TOLERANCES:	CHECKED	
FRACTIONAL ± 1/16	ENG APPR.	
ANGULAR: MACH ± .5 BEND ± 2	MFG APPR.	
ONE PLACE DECIMAL ± .050	Q.A.	
TWO PLACE DECIMAL ± .020	COMMENTS:	
THREE PLACE DECIMAL ± .010		
INTERPRET GEOMETRIC TOLERANCING PER:		
MATERIAL		
EPDM, BLACK		
FINISH		
DO NOT SCALE DRAWING		

PRECISION GROUP

TITLE:
**GROMMET,
 CONDUIT COUPLER**

SIZE	DWG. NO.	REV
B	PF-NIDCGM	04

SCALE: 1:1 WEIGHT: SHEET 1 OF 1

4

3

2

1

B

B

A

A