

4

3

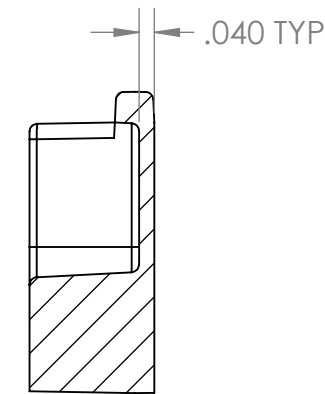
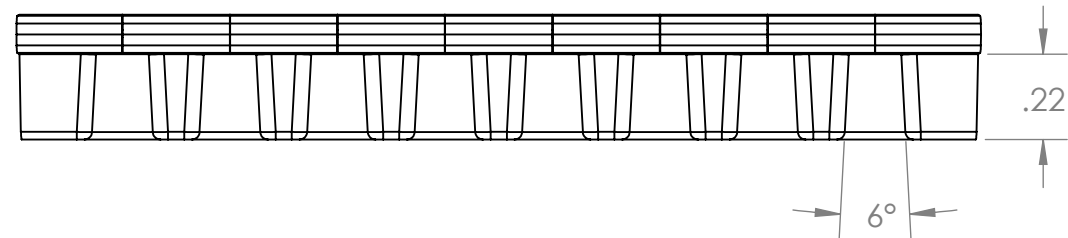
2

1

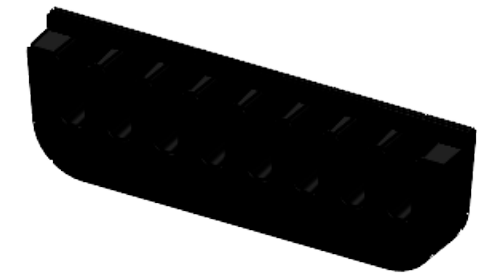
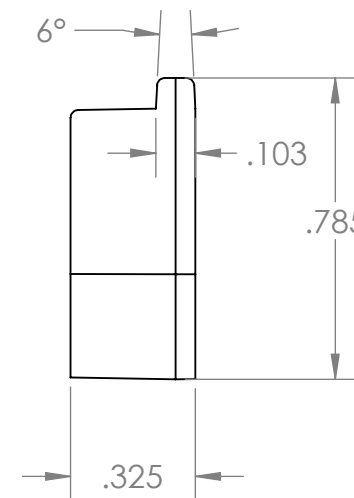
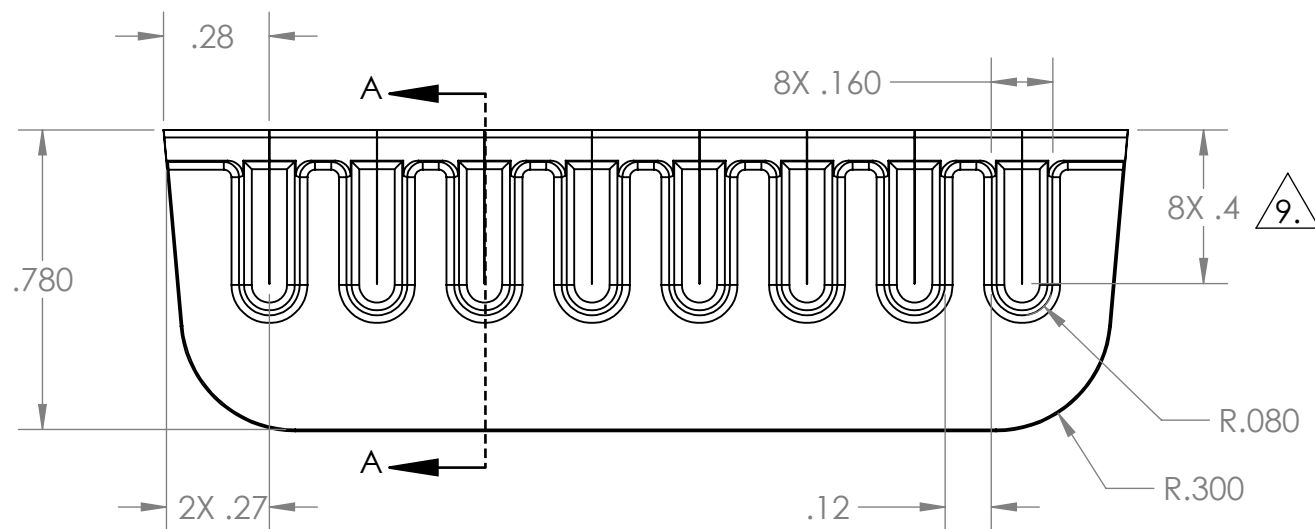
**NOTES:**

- 1. MATERIAL: EPDM, BLACK
- 2. VOLUME: 0.437 CUBIC INCHES
- 3. THIS IS A LIMITED DIMENSION DRAWING. MISSING DIMENSIONS ARE MODEL DRIVEN.
- 4. PARTS TO BE ADEQUATELY PACKED TO PREVENT DAMAGE DURING SHIPPING.
- 5. FLASH THICKNESS: .002" MAX. FLASH EXTENSION: .005" MAX. MISMATCH AT PARTING LINE: .002" MAX
- 6. TOOLING DESIGN TO BE SUBMITTED TO AND APPROVED BY ENGINEERING PRIOR TO CONSTRUCTION OF TOOLS.
- 7. SHARP EDGES AND CORNERS SHOWN TO BE UP TO .005" RADIUS.

REVISIONS					
ECO	REV.	DESCRIPTION	DATE	DRAWNBY	APPROVED
N/A	01	PRELIMINARY RELEASE	9/28/2022	AW	
N/A	02	INCREASED SLOT DEPTH AND WIDTH	12/20/2022	FZ	
N/A	03	ADDED NOTE 9 TO PRE-CUT GROMMET PORTS	2/6/2023	FZ	
N/A	04	MATERIAL WAS CHANGED	6/27/2023	RG	



SECTION A-A



DIMENSIONS IN PARENTHESIS ARE FOR REFERENCE ONLY. UNLESS OTHERWISE SPECIFIED:  
 DIMENSIONS ARE IN INCHES  
 TOLERANCES:  
 FRACTIONAL ± 1/16  
 ANGULAR: MACH ± .5 BEND ± 2  
 ONE PLACE DECIMAL ± .050  
 TWO PLACE DECIMAL ± .020  
 THREE PLACE DECIMAL ± .010

	NAME	DATE
DRAWN		
CHECKED		
ENG APPR.		
MFG APPR.		
Q.A.		

**PRECISION GROUP**  
 TITLE: GROMMET, DROP PORT VERTICAL SLOTS, NID

**PROPRIETARY AND CONFIDENTIAL**  
 THE INFORMATION CONTAINED IN THIS DRAWING IS THE SOLE PROPERTY OF PRECISION FIBER. ANY REPRODUCTION IN PART OR AS A WHOLE WITHOUT THE WRITTEN PERMISSION OF PRECISION FIBER IS PROHIBITED.

INTERPRET GEOMETRIC TOLERANCING PER:  
 MATERIAL: EPDM, BLACK  
 FINISH:  
 DO NOT SCALE DRAWING

COMMENTS:

SIZE: **B** DWG. NO.: VERTICALSLOTGROMMET REV: **04**  
 SCALE: 2:1 WEIGHT: SHEET 1 OF 1

4

3

2

1

B

B

A

A