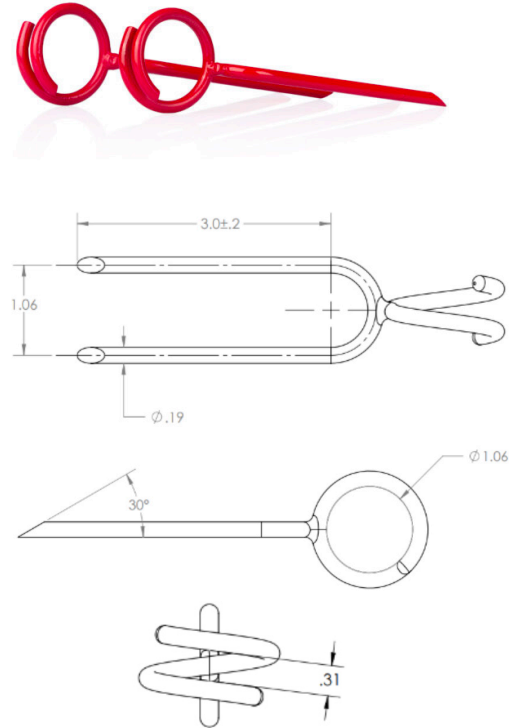


PF-CADDY-STAKE-20

"Stake Eyes" Slotted Fiber Pulling Stakes (20-Pack)

The "Stake Eyes" Slotted Fiber Pulling Stakes give technicians a reliable, hands-free way to manage drop-lines during FTTH deployments. Built specifically to make fiber pulling around outdoor obstacles smooth and snag-free, these high-visibility red stakes protect delicate glass strands from tight bends. Simply drive the angled tip into the ground along your path and loop the cable through the open-eye top. The smart-slotted ring holds the line securely during tension pulls, then lets you pivot and lift the cable out in seconds once the run is complete. Sold in a convenient bag of 20, "Stake Eyes" are the ultimate field tool for fast, damage-free installations.



FEATURES

SMOOTH YARD ROUTING: DESIGNED TO GUIDE DROP-LINES SEAMLESSLY AROUND SHARP CORNERS, LANDSCAPING, AND HOUSE OBSTACLES.

THE "STAKE EYE" BRIDLE RING-INSPIRED DESIGN: UNIQUE OPEN-LOOP TOP ALLOWS FOR QUICK, HASSLE-FREE CABLE INSERTION AND REMOVAL WHILE HELPING GUIDE FIBER SMOOTHLY AROUND OBSTACLES.

PROTECTS BEND RADIUS: KEEPS FIBER GLIDING FREELY TO PREVENT CRITICAL KINKS, MICRO-BENDS, AND SIGNAL-KILLING SNAGS.

HIGH-VISIBILITY RED: VIBRANT COLOR STANDS OUT IN THICK BRUSH SO STAKES ARE NEVER LOST OR LEFT BEHIND AT THE JOB SITE.

TOOL-FREE PLACEMENT: SHARP, ANGLED PENETRATION TIPS LET TECHS STEP OR PUSH STAKES EFFORTLESSLY INTO TOUGH SOIL AND ROOF EAVES.

ORDERING GUIDE

PF-CADDY-STAKE-20

Bag Of 20 Fork Stake, Spool Caddy



(888) 619-1651
Sales@GoPrecisionGroup.com
GoPrecisionGroup.com